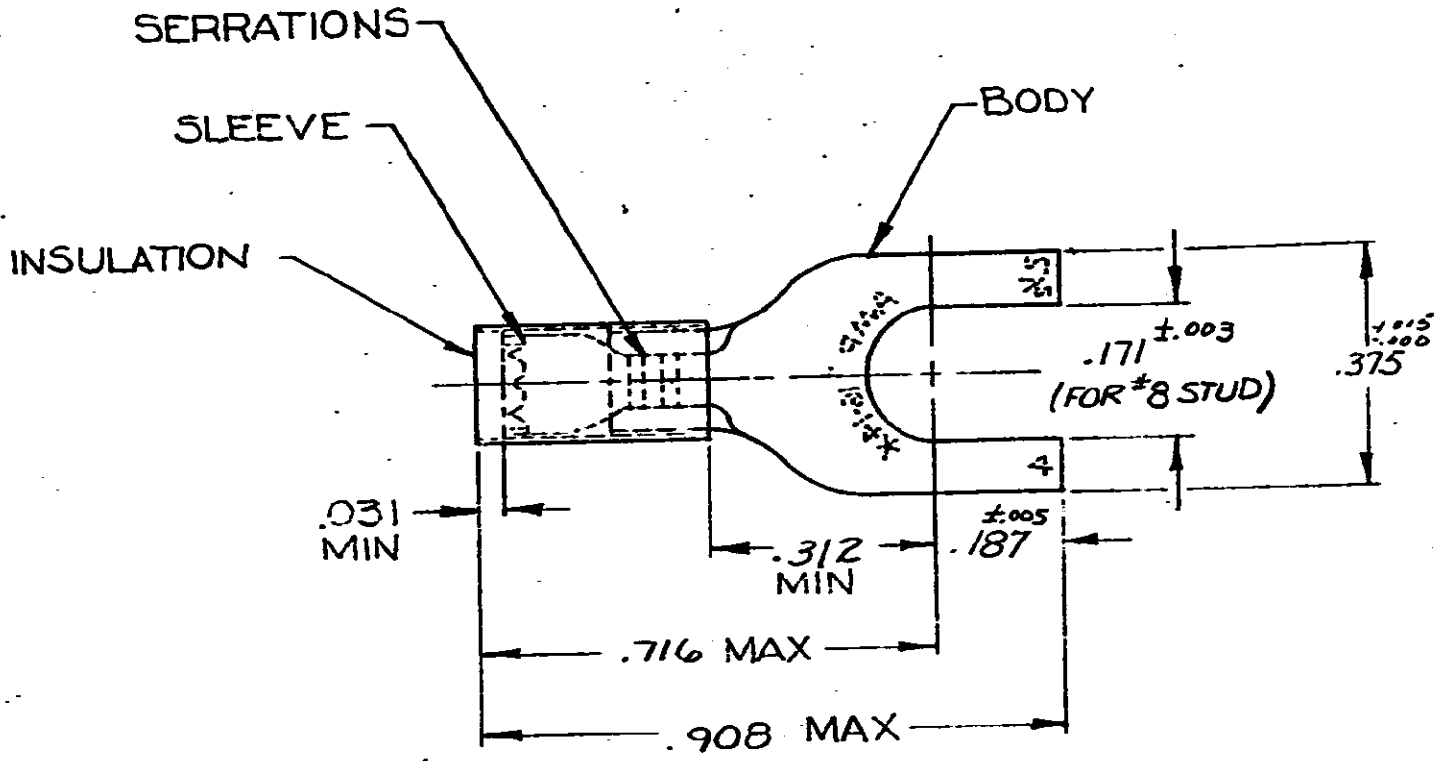


DRAWING MADE IN AMERICAN PROJECTION

© 1955 BY AMP INCORPORATED. ALL RIGHTS RESERVED. AMP PRODUCTS COVERED BY PATENTS AND/OR PATENTS PENDING.

REVISIONS			
LTR	DESCRIPTION	DATE	APPROVED
A	REDRAWN, REVISED, ADDED TAPE NO P-4079	3-16-70	FCY
B	REV PER G-4732	5/12/88	PC
C	REV/0720-0032-93	LO 2193	ME



TONGUE MATERIAL THK = .031 ±.002
FOR .105 TO .150 WIRE INSULATION DIA

100	LOOSE PC, BOX	8-32056-1	
1	32056 ON TAPE	2-32056-1	BODY: COPPER (QQ-C-576) TIN PL (MIL-T-10727)
1	WIRE TERMINAL	32056	SLEEVE: COPPER (QQ-C-576) INSULATION: NYLON COLOR: BLUE
QTY	DESCRIPTION	PART NO	MATERIAL & FINISH

UNLESS OTHERWISE SPECIFIED DIMENSIONS ARE IN INCHES
TOLERANCES ON:
DECIMALS ±.008
ANGLES ±5°

MATERIAL
SEE TABLE

CONTRACT NO.	—
DR.	<i>W. E. Emmerling</i> 3-12-70
CHK.	<i>P. J. ...</i> 3-16-70
APPD.	<i>W. E. Emmerling</i> 3-16-70
REL.	<i>P. J. ...</i> 3-17-70
DSGN APPD.	
OTHER APPD.	



AMP INCORPORATED
HARRISBURG, PENNSYLVANIA

NAME WIRE TERMINAL P.I.D.G. - SPADE WIRE SIZE: 16-14		
SIZE A	CODE IDENT NO. 00779	NUMBER 32056

SCALE NTS SHEET 1 OF 1
CUSTOMER DRAWING